



## Porsche 911 (901 type gearbox)

Between side bearings = 126 mm

Side bearing diameter = 50 mm

Weight = 7 Kg

8 Friction faces 4 + 4

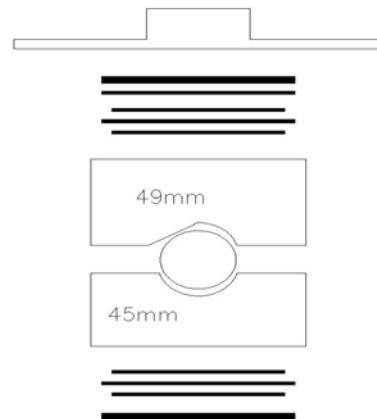
Side bearing part number SKF 32010 X/Q x 2 or SKF 30210 J2/Q x 1

### Parts list

Part number	Quantity	Description
57111900	1	Housing
58260800	1	Cover 8.4 mm step for 49 mm ramp – 4,4mm step for 53 mm ramp
57500200	1	45 mm side shell
5750****	1	49 mm ramp (see options)
35401100	2	Side gear
15141300	2	Nut
35380200	4	Planet gear
34050500	2	Cross pin
27010100	4	Friction disc
27020300	3	Diff plate
27020340	2	Diff plate 4mm
20513010	1	Pin 3 x 9.5 (grind)

Torque diff bolts to 160 Nm

Porsche 901 (911 historic)



### Ramp Options

57500100 30/30 and 45/45 on same ramp

57500700 30/80 and 40/80 on same ramp

57501200 55/55 and 65/65 on same ramp